



USA

High Current Bias Tees In Multiple Band Selections

Model Series AU04XX



Type A



Type B

RF Coaxial Bias Tees by ACCO USA covers the RF frequency ranges from DC to 40GHz in multiple frequency band configurations.

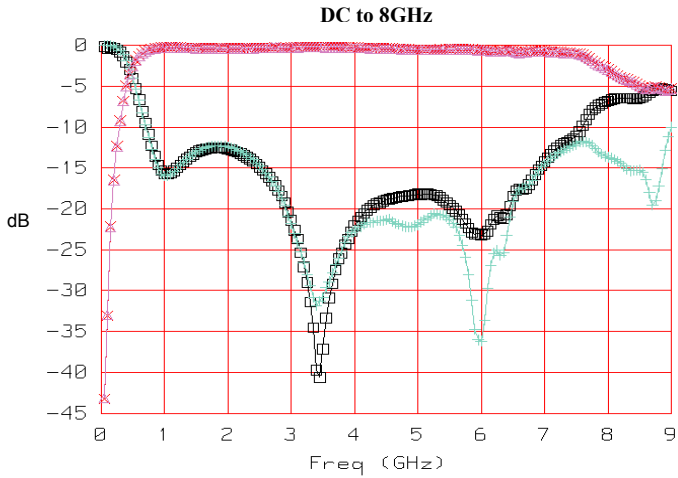
FEATURES:

- ❑ Force and sense connections to the RF line
- ❑ DC block on the RF input port
- ❑ High current usage
- ❑ High Power handling
- ❑ Replaceable bias fuse for protection against in-rush current and misuse
- ❑ Economical to repair

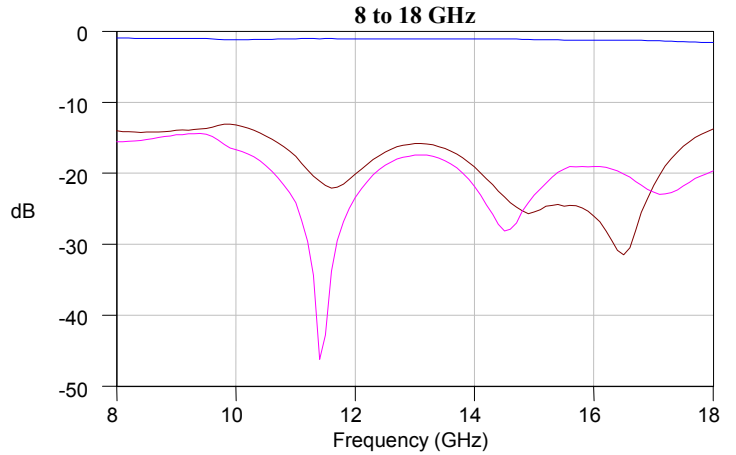
In addition to the bias tees listed below, our engineers can custom design bias tees to customer specifications.

Frequency Band (GHz)	Max Current (Amps)	Return Loss (Both Ports) Minimum	Typical Loss @ max Freq.	RF Power (W)	Product No.	Housing Type	Connector Type
18 – 40	1	See Plot	2.4	10	AU0401	B	2.4mm
30 – 40	3	See Plot	2.4	10	AU0402	B	2.4mm
8 – 18	3	See Plot	1.2	10	AU0403	B	2.4mm
18 – 30	3	See Plot	2.0	10	AU0404	B	2.4mm
0.8 – 4	4	See Plot	1.0	50	AU0411	B	K
2 – 8	4	See Plot	1.0	50	AU0412	B	K
6 – 18	2	See Plot	1.2	50	AU0413	B	K
1.5 – 6	10	See Plot	1.0	100	AU0414	A	N
1 – 26.5	.5	See Plot	1.8	10	AU0415	B	K
1 – 18	.5	See Plot	1.2	10	AU0416	B	K

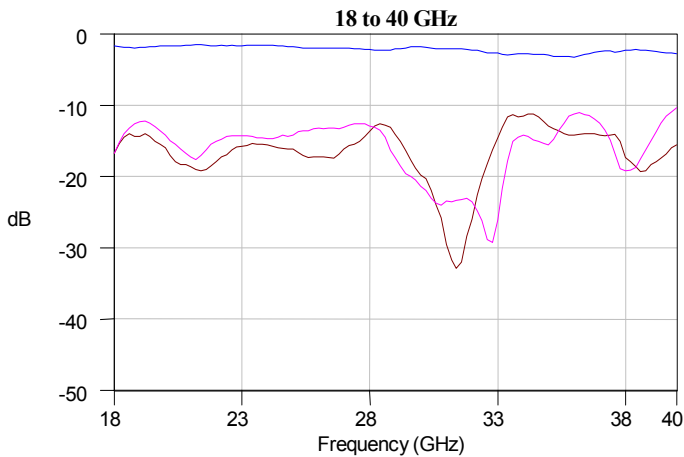
Typical Insertion Loss And Return Loss Plots



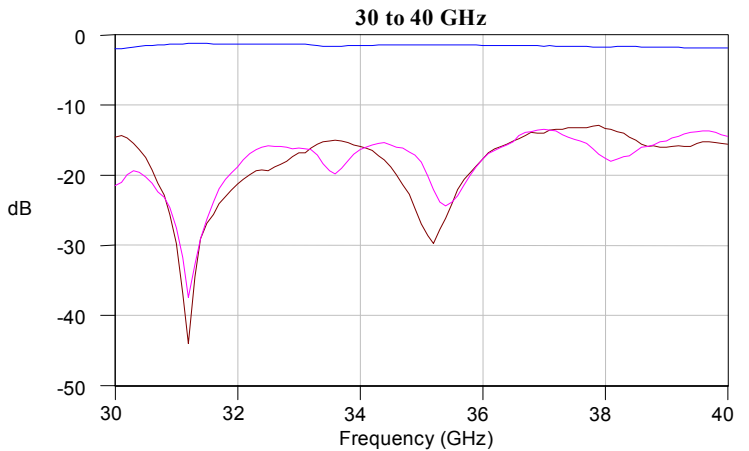
**Typical Low Frequency Insertion Loss
And Return Loss
(Product No. AU0414)**



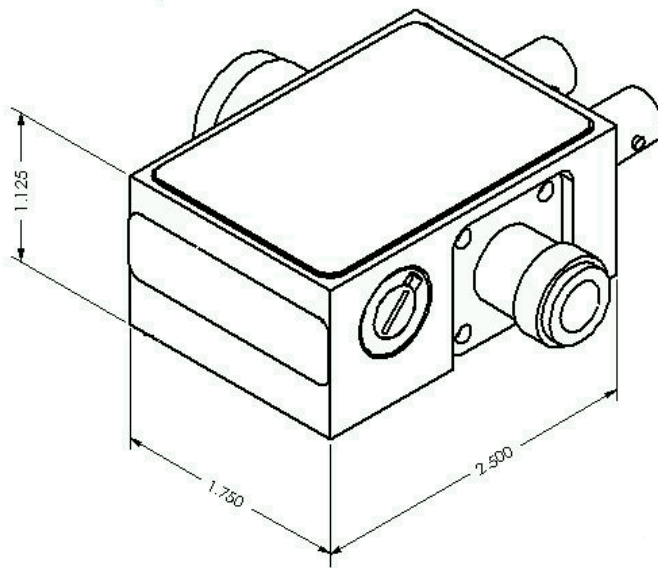
**Typical High Frequency Insertion Loss
And Return Loss
(Product No. AU0403)**



**Typical High Frequency Insertion Loss
And Return Loss
(Product No. AU0401)**

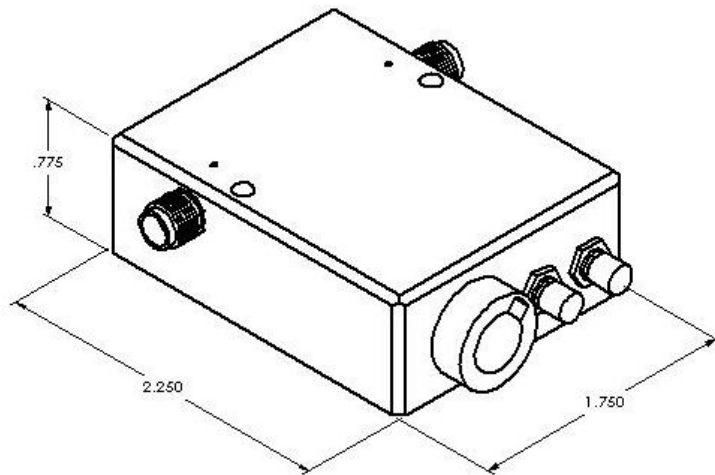


**Typical High Frequency Insertion Loss
And Return Loss
(Product No. AU0402)**



Type "A"
Housing

Figure 1. High Power Bias Tee with Type N connectors



Type "B"
Housing

Figure 2. Low Power Bias Tee with 2.4mm connectors

**Contact And Order
Inquiries:**
marketing@acco-usa.com

Bias_Tee_2003.1

Visit our web site at:
www.acco-usa.com